



ET-7255 PET-7255

Ethernet I/O Module with 8-channel DI, 8-channel DO

Features

- Built-in Web Server
- Web HMI
- Support for both Modbus TCP and Modbus UDP Protocols
- Communication Security
- 2-port Ethernet Switch for Daisy-Chain Topology
- Dual Watchdog
- Wide Operating Temperature Range: -25 to +75°C
- I/O Pair Connection
- Built-in I/O
 - DI/Counter: 8 Channels
 - DO: 8 Channels



Introduction

The ET-7255/PET-7255 provides 8 Dry/wet contact digital input channels and 8 source-type digital output channels. It features optical isolation for 2500 VDC of transient overvoltage protection but doesn't provide channel-to-channel isolation. Each input channel can be used as a 32-bit counter and each output channel can drive 650 mA load. The power-on value and safe value of digital output channel are programmable. It can safely be used in applications where hazardous voltages are present.

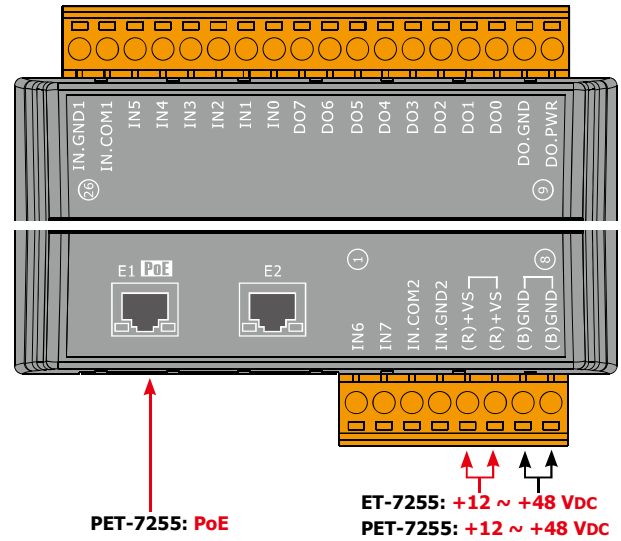
System Specifications

Model	ET-7255	PET-7255
Software		
Built-in Web Server		Yes
Web HMI		Yes
I/O Pair Connection		Yes
Communication		
Ethernet Port	2 x RJ-45, 10/100 Base-TX, Switch Ports	
PoE	-	Yes
Protocol	Modbus TCP, Modbus UDP	
Security	ID, Password and IP Filter	
Dual Watchdog	Yes, Module (0.8 seconds), Communication (Programmable)	
LED Indicators		
for System Running		Yes
for Ethernet Link/Act		Yes
for DI/DO status		Yes
for PoE Power	-	Yes
2-Way Isolation		
Ethernet	1500 Vdc	-
I/O	2500 Vdc	
EMS Protection		
ESD (IEC 61000-4-2)	±4 kV Contact for Each Terminal and ±8 kV Air for Random Point	
EFT (IEC 61000-4-4)	±2 kV for Power Line	
Surge (IEC 61000-4-5)	±2 kV for Power Line	
Power		
Reverse Polarity Protection		Yes
Powered from Terminal Block	12 ~ 48 Vdc	12 ~ 48 Vdc
Powered from PoE	-	Yes, IEEE 802.3af, Class1
Consumption	3.9 W (Max.)	4.0 W (Max.)
Mechanical		
Dimensions (L x W x H)	120 mm x 76 mm x 38 mm	
Installation	DIN-Rail or Wall Mounting	
Environment		
Operating Temperature	-25 to +75°C	
Storage Temperature	-30 to +80°C	
Humidity	10 to 90% RH, Non-condensing	

I/O Specifications

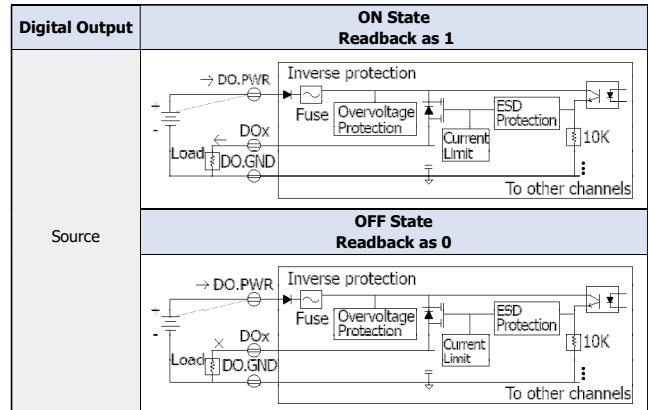
Model	ET-7255	PET-7255
Digital Input/Counter		
Channels	8	
Contact	Dry +Wet	
Sink/Source (NPN/PNP)	Dry: Source Wet: Sink/Source	
Wet Contact	On Voltage Level	+10 Vdc ~ +50 Vdc
	Off Voltage Level	+4 Vdc Max.
Dry Contact	On Voltage Level	Close to GND
	Off Voltage Level	Open
Input Impedance	10 kΩ	
Counters	Max. Count	4,294,967,295 (32 bits)
	Max. Input Frequency	100 Hz
	Min. Pulse Width	5 ms
Overvoltage Protection	+70 Vdc	
Effective Distance	500 M Max.	
Digital Output		
Channels	8	
Type	Isolated Open Collector	
Sink/Source (NPN/PNP)	Source	
Max. Load Current	650 mA/channel at 25°C	
Load Voltage	+10 Vdc ~ +40 Vdc	
Overvoltage Protection	47 Vdc	
Overload Protection	-	
Short-circuit Protection	Yes	
Power-on Value	Yes, Programmable	
Safe Value	Yes, Programmable	

Pin Assignments



Wire Connections

Digital Input/Counter	Readback as 1	Readback as 0
Wet Contact (Sink)	+10 ~ +50 Vdc 	OPEN or <4 Vdc
	Wet Contact (Source)	+10 ~ +50 Vdc



Digital Input/Counter	ON State Readback as 1	OFF State Readback as 0
Dry Contact		

Ordering Information

ET-7255 CR	Ethernet I/O Module with 2-port Ethernet Switch, with 8-channel Digital Input, 8-channel Digital Output (RoHS)
PET-7255 CR	PoE Ethernet I/O Module with 2-port Ethernet Switch, with 8-channel Digital Input, 8-channel Digital Output (RoHS)